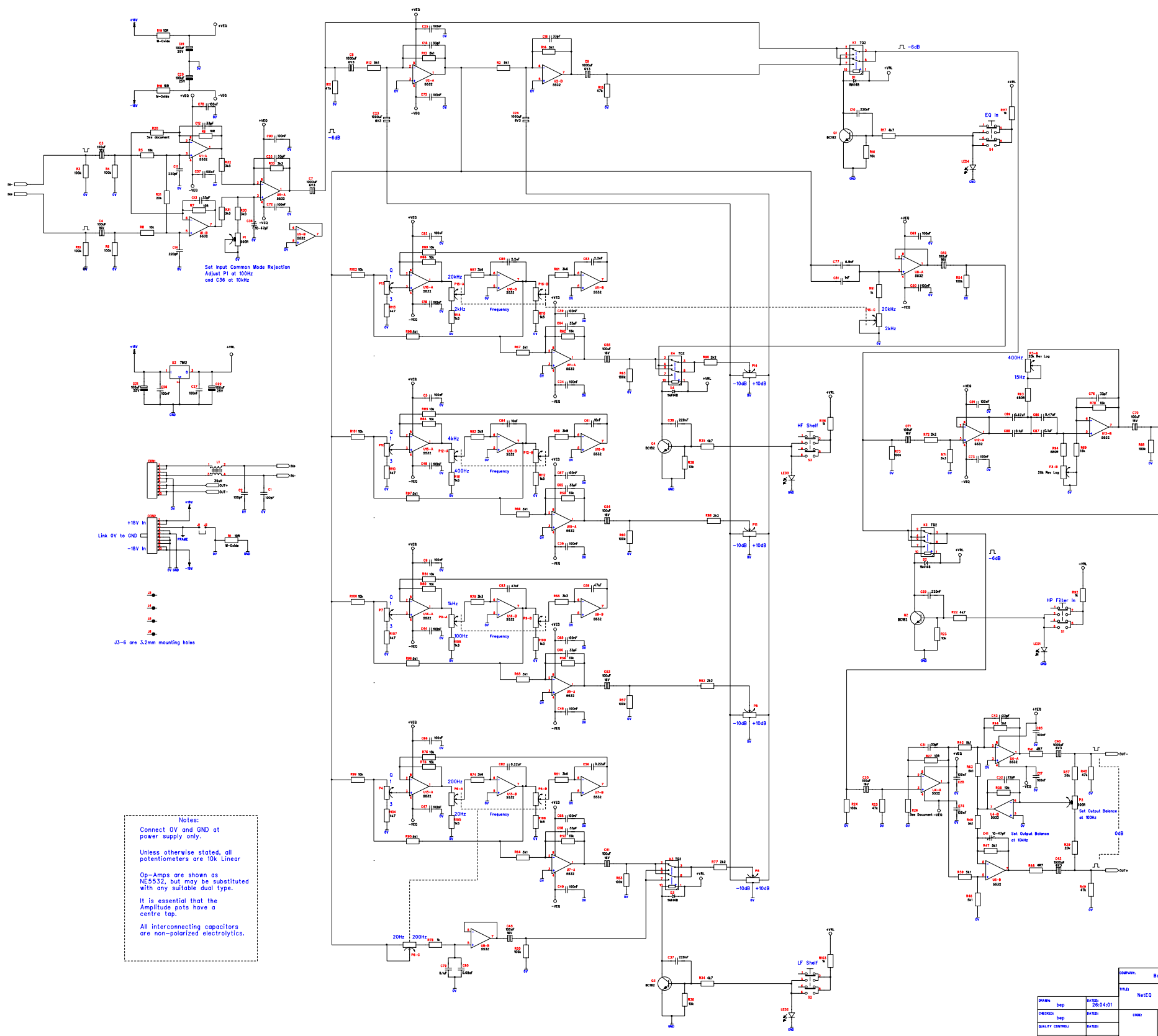


REVISION RECORD			
REV	EDR NO.	APPROVED	DATE



Notes:
 Connect 0V and GND at power supply only.
 Unless otherwise stated, all potentiometers are 10k Linear
 Op-amps are shown as NE5532, but may be substituted with any suitable dual type.
 It is essential that the Amplitude pots have a centre tap.
 All interconnecting capacitors are non-polarized electrolytics.

DESIGNED: beg		DATE: 200401		DRAWN: beg	
CHECKED: beg		DATE:		DRAWN NO:	
QUALITY CONTROL: beg		DATE:		REV:	
RELEASED: beg		DATE:		PAGE: 1 OF 1	

COMPANY: Barry Porter Designs

Proj: NetEQ